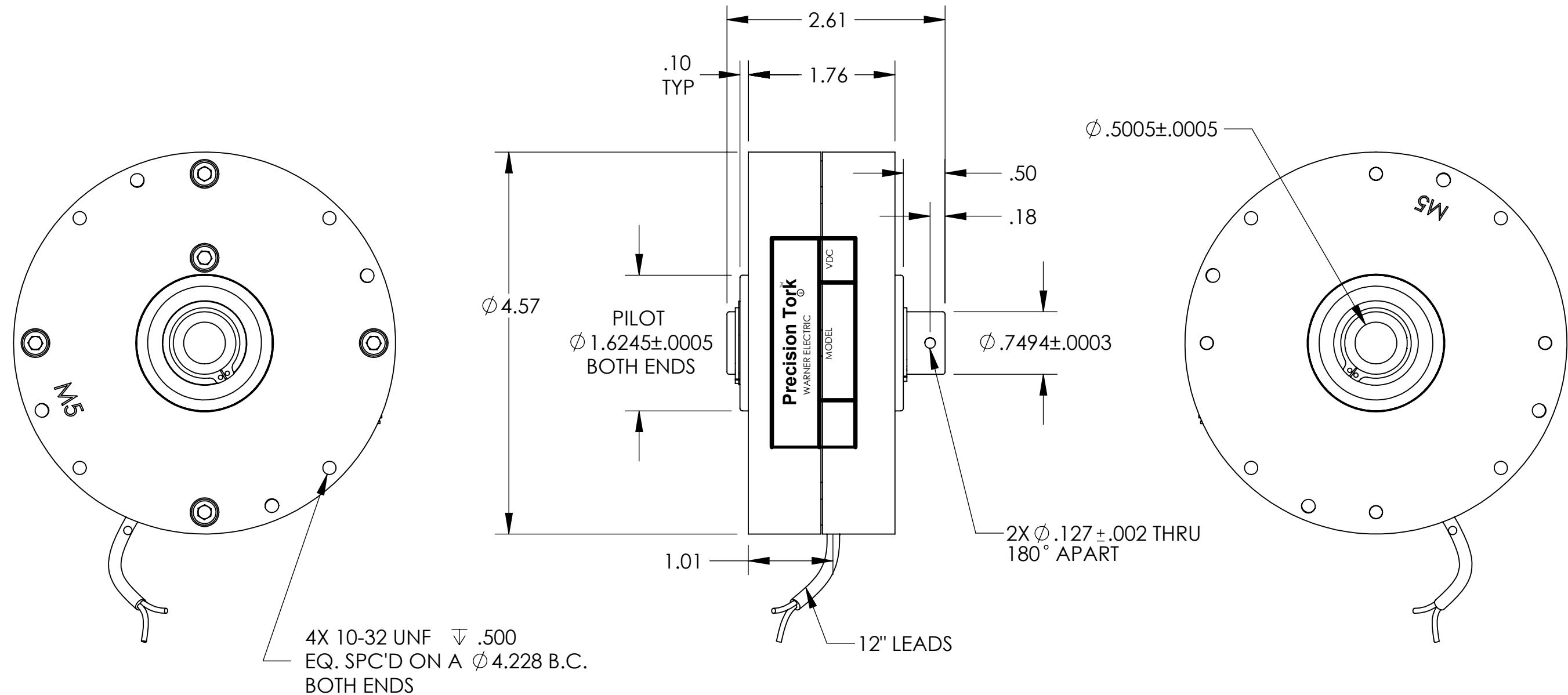


AVAILABLE VOLTAGES: 24, 90 VDC
 RATED TORQUE: 70 LB-IN
 MAX. HEAT DISSIPATION: 100 WATTS

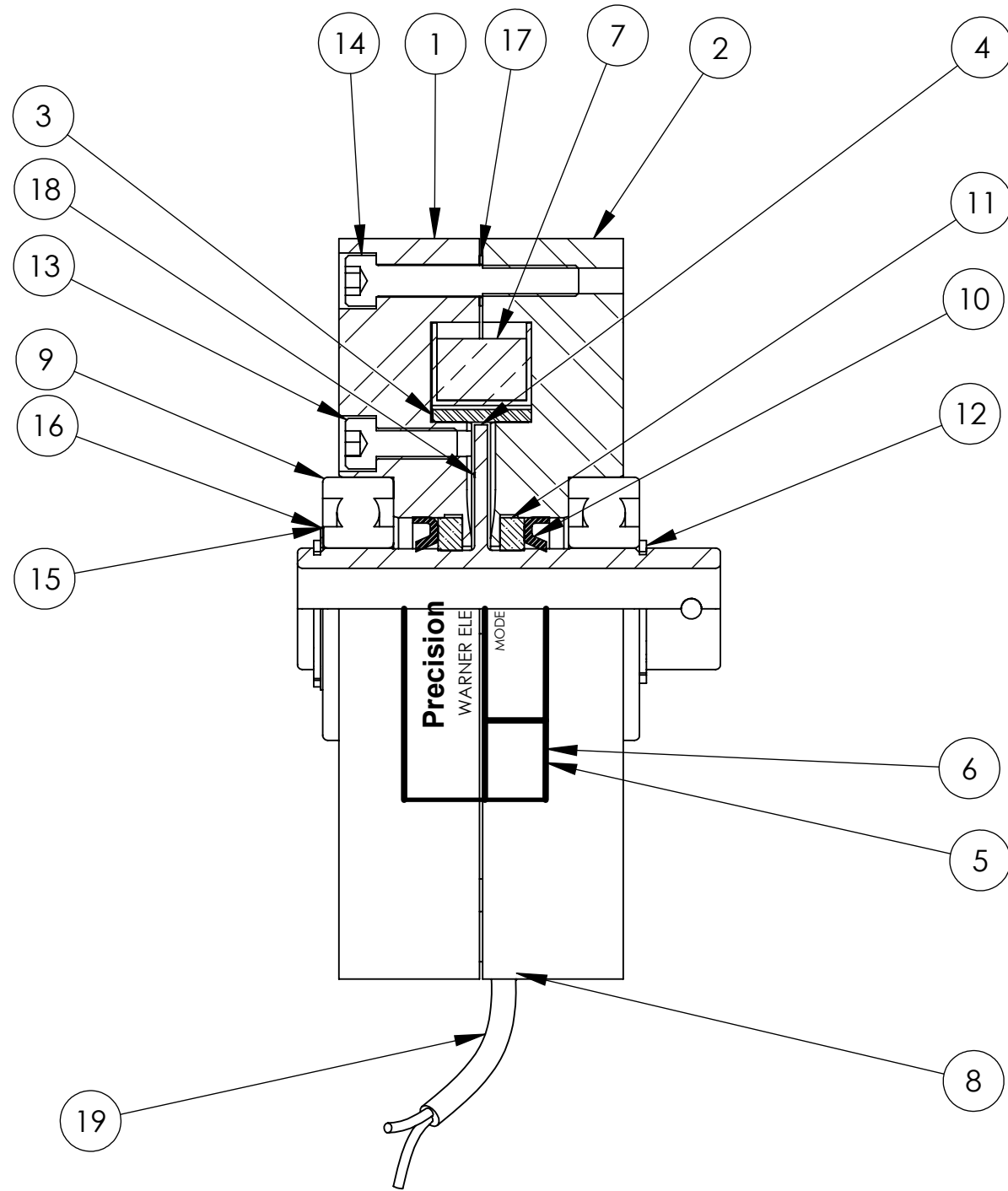


REV.	DESCRIPTION	DATE	NUMBER
A	INITIAL RELEASE IN SOLIDWORKS	6/29/2006	163

PROPRIETARY AND CONFIDENTIAL
 THE INFORMATION CONTAINED IN THIS DRAWING IS THE SOLE PROPERTY OF PRECISION TORQUE CONTROL. ANY REPRODUCTION IN PART OR AS A WHOLE WITHOUT THE WRITTEN PERMISSION OF PRECISION TORQUE CONTROL IS PROHIBITED.

UNLESS OTHERWISE SPECIFIED:		NAME	DATE
DIMENSIONS ARE IN INCHES. ALL DIMENSIONS ARE PRE-FINISH. REMOVE ALL SHARP EDGES .005/.015		JHE	01-02-06
TOLERANCES: ANGULAR = ±0.5° TWO PLACE DECIMAL = ±0.015 THREE PLACE DECIMAL = ±0.010		MSCOTT	06-29-06
ALL MACHINED SURFACES TO BE: PERPENDICULAR, CONCENTRIC, PARALLEL WITHIN 0.005 TIR			
DO NOT SCALE DRAWING			

PRECISION TORQUE CONTROL Midland, MI U.S.A.		
TITLE: ASSEMBLY		
SIZE B	DWG. NO. MPB70-1	REV A
SCALE: 3:4	DATE OF PRINT: 11/11/2010	



NO.	PART NO.	DESCRIPTION	QTY.
1	M070-3001	END CAP	1
2	M070-3002	END CAP	1
3	M070-5001	SPACER	1
4	M070-R001	ROTOR	1
5	M099-9001	LABEL-MODEL#	1
6	M099-9003	LABEL-OVERLAY	1
7	SEE CHART	COIL	1
8	YAD1-0006	3M HOT MELT	1
9	YBAB-0010	BEARING SEAL	2
10	YLS1-0003	GREASE SEAL	2
11	YLS2-0003	FELT SEAL	2
12	YRS2-0006	EXT RET RING	2
13	YSC1-0004	SHCS 10-32 X 1/2 SS	1
14	YSC1-0015	SHCS 10-32 X 1 1/4 SS	4
15	YWS1-0010	SHIM	1
16	YWS1-0011	SHIM	1
17	YWS1-0013	SHIM	4
18	YZ00-0015	MAGNETIC POWDER	1
19	YZ00-0021	SHRINK TUBE	1

MODEL	VOLTAGE	COIL#	WIRE COLOR
MPB70-1-24	24 VDC	M070-C024	RED
MPB70-1-90	90 VDC	M070-C090	BLACK

PROPRIETARY AND CONFIDENTIAL
 THE INFORMATION CONTAINED IN THIS DRAWING IS THE SOLE PROPERTY OF PRECISION TORQUE CONTROL. ANY REPRODUCTION IN PART OR AS A WHOLE WITHOUT THE WRITTEN PERMISSION OF PRECISION TORQUE CONTROL IS PROHIBITED.

UNLESS OTHERWISE SPECIFIED:
 DIMENSIONS ARE IN INCHES.
 ALL DIMENSIONS ARE PRE-FINISH.
 REMOVE ALL SHARP EDGES .005/.015

TOLERANCES:
 ANGULAR = ±0.5°
 TWO PLACE DECIMAL = ±0.015
 THREE PLACE DECIMAL = ±0.010

ALL MACHINED SURFACES TO BE:
 PERPENDICULAR, CONCENTRIC,
 PARALLEL WITHIN 0.005 TIR

DO NOT SCALE DRAWING

	NAME	DATE
DRAWN	JHE	01-02-06
ENG APPR.	MSCOTT	06-29-06
DENSITY:	lbs/cu in	
WEIGHT:	7.75 lbs	
INERTIA:	lbs sq in	
MATERIAL	STEEL	
FINISH	YELLOW DICHROMATE	

PRECISION TORQUE CONTROL Midland, MI U.S.A.		
TITLE: ASSEMBLY		
SIZE B	DWG. NO. MPB70-1	REV A
SCALE: 1:1	DATE OF PRINT: 11/11/2010	